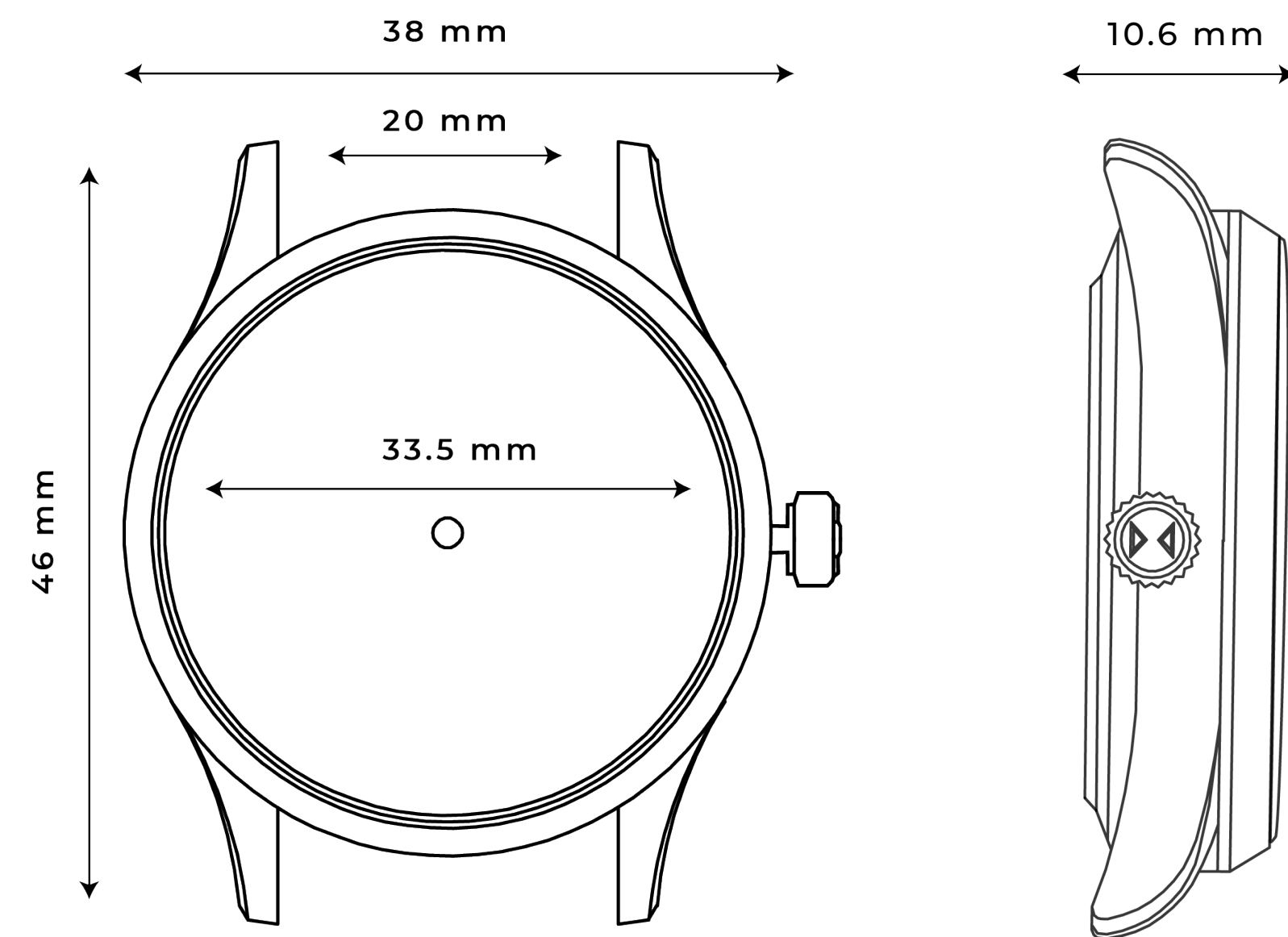


\_ORION

# TECHNICAL SHEET

## SPECIFICATIONS

### DIMENSIONS



### DIAL & MOONDISC

Texture	2 floors - grained and matt
Index	Super luminova
Moondisc	Realistic luminescent disc

### MATERIALS & FINISHES

Dial glass	Saphir anti-reflective coating x2
Case back glass	Saphir anti-reflective coating x2
Strap	Italian & French leather
Movement finishes	D4 / luxurious decoration
Shock-absorber	Incabloc
Barrel spring	Nivaflex
Water Resistance	10 ATM

# TECHNICAL SHEET

## SW288-1m CALIBER

### CARACTERISTICS

Family	Sellita SW200 Family
Height	4.40 mm
Jewels	19
Reserve	42 hours
Frequency	28,800 A/h
Winding	Hand winding
Diameter	25.60 mm (11.5 ligne)

### SETTING

Complication	Date, Hacking Seconds, Moon Phase, Quick Date Correction
Hands	Central Hour Hand, Central Minute Hand, Central Moon Phase Wheel, Central Seconds Hand, Date Window at 6:00
Synodic revolution	29.50 days
Fonctions	3 hands, date, moon phases
Middle rate	Elaborated (+/- 7)
Crown	Quick moonphase & date correction

The finishing level of the movement for the Orion series, named *Luxurious D4*, is the highest offered by the Sellita. It includes a main plate with circular graining, snailing on the bevels, crown wheel, ratchet, and barrel, all nickel-plated. The blued screws and the bridges, designed by Mu:n, are inspired by the solar panels of the Orion spacecraft.

The Sellita Cal. SW288-1 M, introduced in 2018, is a hand-winding movement featuring a refined moon phase and date display, inspired by the ETA 2800 family. It is distinguished by a large central moon phase disc and a discreet date window at 6:00, offering a blend of elegance and precision.

The SW288-1 incorporates Sellita's innovative design, including a bi-directional winding mechanism and an additional jewel, bringing the total to 19. Enhancements introduced in 2008 improve shock resistance and longevity, showcasing Sellita's dedication to precision engineering and reliable craftsmanship, making it ideal for fine timepieces.